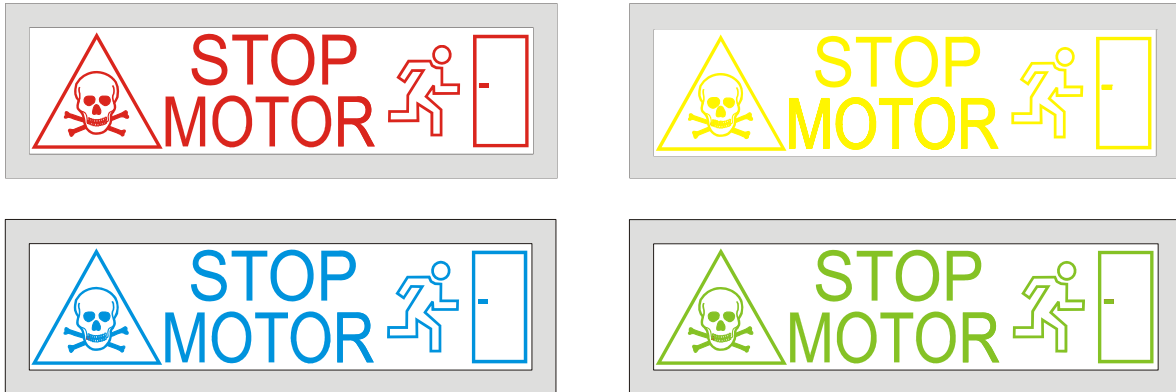


PolyGard® LED Warning Sign WT

DESCRIPTION

Transparent warning sign in robust, maintenance-free and energy-saving LED technology with static and flashing lights

The simple mounting is due to the flat and stable aluminium frame. The electric connection is effected directly at the connection box without opening the housing.



APPLICATION

The LED warning sign is used for the optical warning against dangerous CO concentrations or the malfunction of the ventilation system in underground garages, tunnels, car repair shops, loading bays etc. according to VDI-2053, as well as in all areas where an optical warning against hazardous gas concentrations or other risks might be necessary.

FEATURES

- Version with pictogram and text
- Power supply 230 VAC with/without EPS or 24 VAC/DC
- Energy-saving
- Long life LED technology (100.000 h)
- Warning static or flashing (option)
- Option flashing: Flashing frequency adjustable (0.6 sec – 4 sec), factory-set 1 sec.
- Functional test without opening the housing (only EPS type)
- Different text colours
- Character height 60 mm, pictogram 132 mm (others on request)
- Text one- or two-sided
- Stable aluminium frame
- Extremely flat design (without hollow part) 22 mm
- Simple mounting and electrical connection without opening the housing
- Low weight, therefore one-man installation possible
- Suitable for ceiling and wall installation
- Double terminals for line topology
- Adjustable mounting eyes
- Option: Integrated alarm horn, for compliance with the German air treatment systems for car parks

Sight distance:

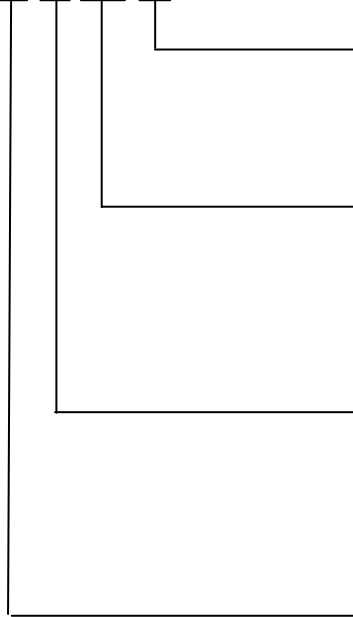
According to the requirements for illuminated safety signs in compliance with DIN 4844, if applicable, the sight distance for backlit signs with a character height of 132 mm and an average luminance of 200 cd/m is 26.4 m.

As per VDI 2053 the necessary visibility distance and requirements for a flashing light per 500 m² is calculated as follows:

With a common width of 16 m for the lane and parking spaces on both sides, the length for 500 m² is 500 m²/16 m = 31.25 m. When placing the warning sign in the middle, the required visibility distance is 31.25 m / 2 = 15.63 m. Therefore all VDI 2053 requirements are fulfilled with the visibility of 26.4 m.

ORDERING INFORMATION

WT-D2-30-222-RW



Text colour	
RW	Text red, background white
GW	Text yellow, background white
BW	Text blue, background white
GrW	Text green, background white
Version	
2XX	1 = Text one-sided / 2 = Text two-sided
X2X	Number of height units HU 2
XX2	Number of length units LU 2
Power supply/ option	
1X	230 VAC 50 Hz
2X	230 VAC 50 Hz with EPS
3X	24 VAC/ DC
X1	with horn
X2	with flasher*
X3	with horn and flasher*
Texts	
D2	Text and pictogram
ST	Special text

* Flasher always included in version 230 VAC with EPS.

Example: Warning sign with 24 V AC/ DC

Order Number: WT-D2-30-222-RW

Special models on request!

STANDARD VERSION

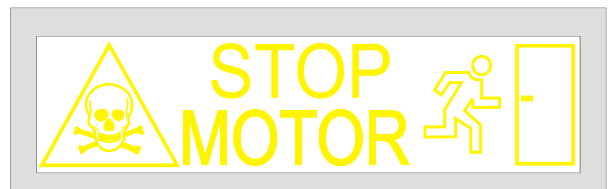
WT-D2-30-222-RW

Version D2, 642 x 203 x 22 mm, 2-sided, text red lighted and background white



WT-D2-30-222-GW

Version D2, 642 x 203 x 22 mm, 2-sided, text yellow lighted and background white

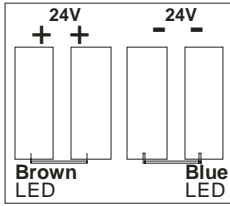


SPECIFICATIONS

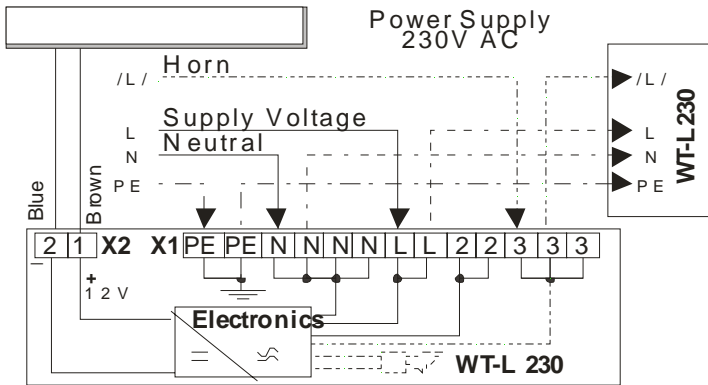
Electrical	
- WT- 230 / EPS	230 VAC, -10% / + 20% 50 Hz
- WT- 24	24 VAC/DC -30% + 15%
Power consumption	100 % ED < 18 V > 50 % ED
Lamp type	4,8 W at 24 V DC
	LED, working at least 100.000 h
Operating Environment	
Humidity	15 – 90 % HR non-condensing
Working temperature	-20 °C to + 50 °C
Storage temperature	-5 °C to + 30 °C
Physical characteristics	
Lamp	
Housing	Aluminium profile
Dimensions	B = 642 mm H = 203 mm D = 22 mm
Weight	1,9 kg
Protection class	IP 54
Mounting	Wall mounting, ceiling installation, also suspended by means of threaded bars or chains
Mounting accessories	2 hooks for ceiling installation
Connection cable to lamp	Ölflex Classic 110 gray, 2 x 0,5 mm ² , length 1,80 m
Character height/ symbol height	60 / 132 mm
Text colour (illuminated)	Red, yellow, blue, green
WT – connection box 230V	
Housing	ABS
Dimensions	(B x H x D) 114 x 152 x 75 mm
Weight - without option EPS	0,6 kg
- with option EPS	1,0 kg
Protection class	IP 54
Mounting	Wall mounting, ceiling installation
Mounting accessories	2 mounting screws
Cable entry	2 x M 20, 1 x M 12
Wire connection	Screw-type terminals: min. 0,25 mm ² , max. 2,5 mm ²
Option EPS	
Supply duration	Minimum 60 minutes with charged battery
Charging time	10 h
Battery life expectancy	5 years / normal operating environment
Option horn	
Acoustic pressure	Mounted in connection box
Audio frequency	85 dB (distance 300 mm)
	3,5 kHz
WT connection box 24V	
Housing	Thermoplastic material
Dimensions	(B x H x D) 75 x 75 x 37 mm
Weight	Ca. 0,1kg
Protection class	IP 54
Mounting	Wall and ceiling installation
Mounting accessories	2 mounting screws
Cable entry	2 x M 20, 1 x M 12 pre-cut
Wire connection	Spring-type terminals min. 1,5 mm ² , max. 2,5 mm ²
Option horn 24V	
Housing	Mounted in connection box
Dimensions	Polystyrene
Weight	(B x H x D) 80 x 80 x 52 mm
Protection class	Ca. 0,2kg
Acoustic pressure	IP 54
Audio frequency	87 dB (distance 1m)
	3,5 kHz
Guideline	
	EMC directives 89/336/CEE
	CE
Warranty	
	1 year on material

WIRING CONFIGURATION

WT-24V



WT-230V



WT- 230V with EPS

